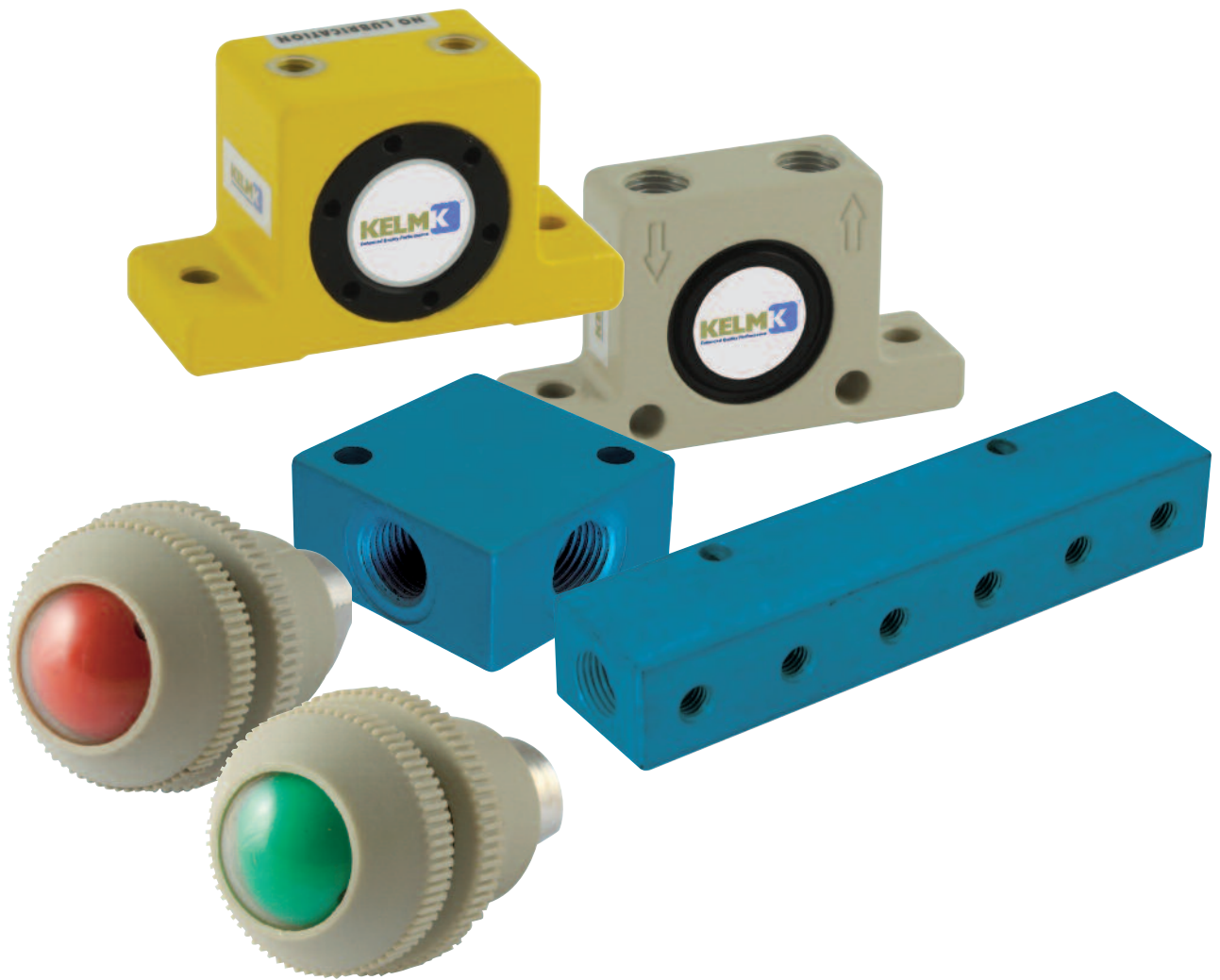
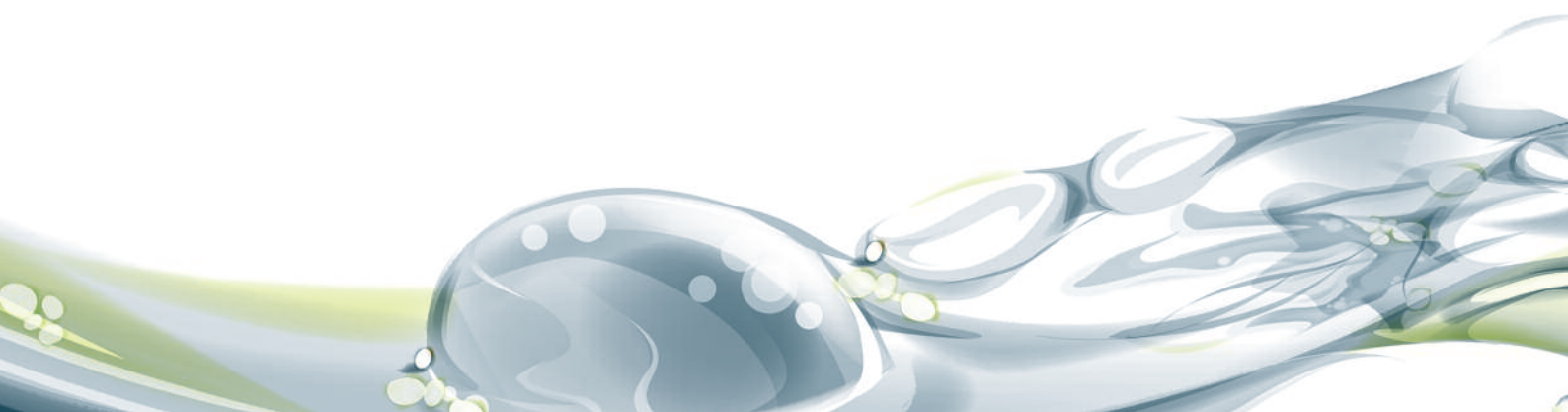
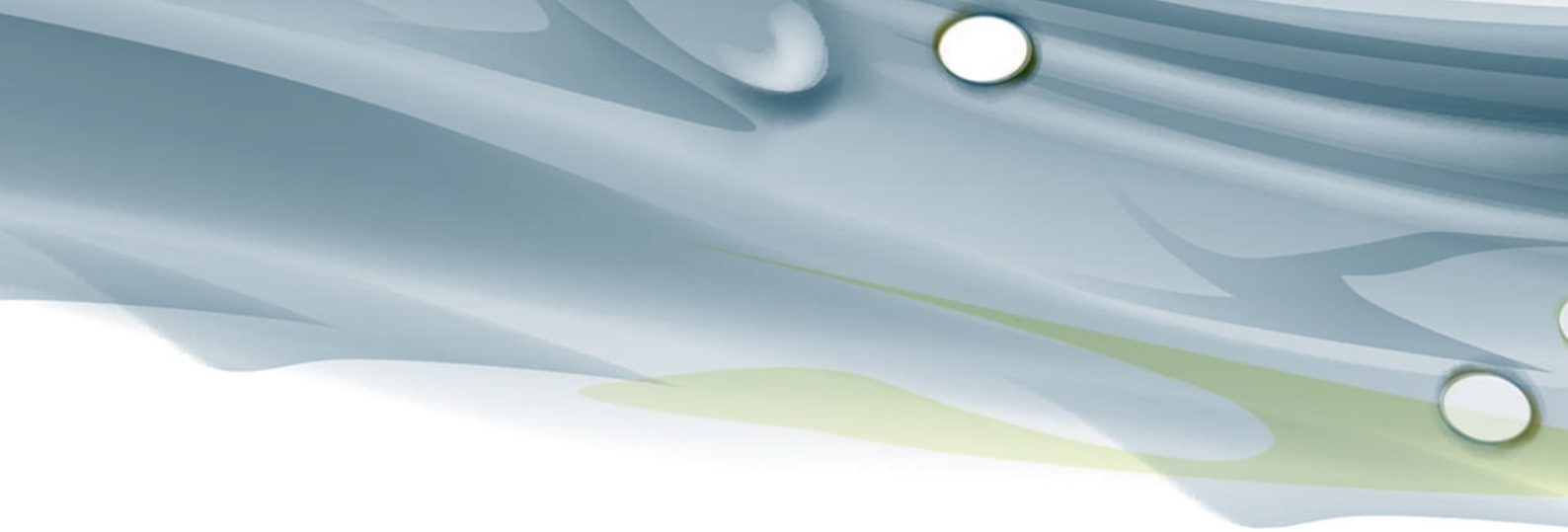


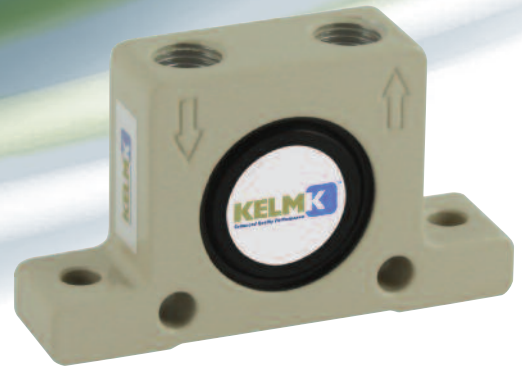
# ACCESSORIES

Ball Vibrators, 'JM' Series	3
Turbine Vibrators, 'JMT' Series	5
Visual Indicators	7
Distribution Manifolds	9





# ACCESSORIES BALL VIBRATORS 'JM' SERIES



## General Information

- 1 Minimum operating pressure 2 bar (30psi).
- 2 Max working pressure 6 bar (90psi).
  - Warning - exceeding the maximum working pressure of 6 bar, will result in faults or destruction of the vibrator.
- 3 Noise level from 75 – 95 dBA.
  - It is imperative that the silencer is cleaned on a regular basis as a back pressure may be created within the internal working of the vibrator and cause malfunction.
- 4 Medium – Compressed Air & Nitrogen.
- 5 Ambient temperature shall not exceed 100°C (220°F).

## Installation

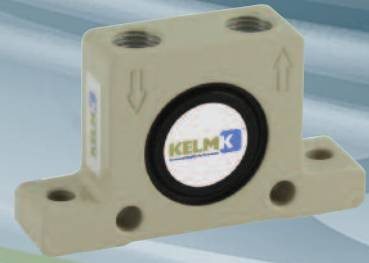
- 1 Mounting must always be conducted on a solid, clean and even surface. If mounting surface has any welding joints they must be of adequate strength.
  - Make sure that the air pressure is turned off before installing and before any maintenance of the vibrator.
  - The air should be clean, filtered and lubricated to ensure long life of the product, ISO VG 15 lubricant is recommended or any other suitable oil with a viscosity of 15 cST/40°C.
- 2 The Vibrators are suitable for indoor and outdoor applications.
  - When fitting in an outside environment please ensure that the exhaust ports are ported / piped in a downward position to avoid any water ingress.
- 3 Always ensure that there is a silencer fitted to the exhaust port.
  - Check exhaust ports and silencers regularly to avoid any dirt blocking the exhaust ports, if this is not carried out regularly this will lead to failure of the product.
  - It is advisable to use a thread lock (LOCTITE 270) when fixing any fittings or mounting screws to the vibrator, and the use of anti-vibration nuts & washers.
  - The vibrators must be ported correctly by using the arrow as a guide, the inlet port is the smaller hole marked with the arrow.
  - Allen screws must be used when mounting the vibrator, the use of slotted screws must be avoided. The torque when tightening must not exceed the following values;

Ref Numbers	Thread	Tightening Torque	
		Min.	Max.
JM8 & JM10	M6	6 Nm	10 Nm
JM13, JM16, JM20 & JM25	M8	15 Nm	21 Nm
JM30 & JM36	M10	30 Nm	42 Nm

## Safety

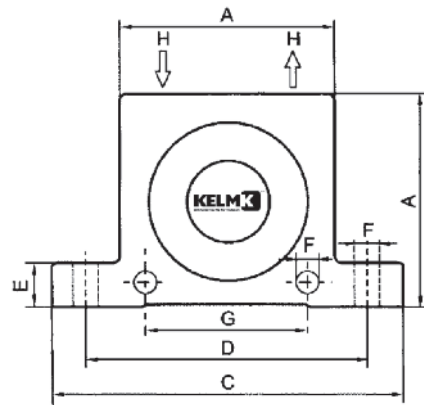
- Regularly check all fixings and connections to ensure that they have not worked loose.
- Always wear ear protection when in the vicinity of the working vibrators.
- Always fit a silencer to the exhaust port.

# ACCESSORIES BALL VIBRATORS 'JM' SERIES



## Performance Data

Model	Frequency V.P.M.			Centrifugal Force Measured			Air Consumption/Minute		
	0.2Mpa	0.4Mpa	0.6Mpa	0.2Mpa	0.4Mpa	0.6Mpa	0.2Mpa	0.4Mpa	0.6Mpa
				N	N	N	Ltr.	Ltr.	Ltr.
JM8	25510	31100	35100	132	249	355	85	150	190
JM10	22510	28100	34100	245	468	715	95	155	210
JM13	15100	18500	22510	32	56	875	95	160	230
JM16	13100	17100	19510	455	81	1110	125	210	285
JM20	10510	14510	16510	715	1200	1750	135	235	335
JM25	9210	12210	14100	925	1580	2100	165	295	420
JM30	7810	9710	12510	1520	2480	3250	220	980	545
JM36	7310	9100	10100	2050	3135	4100	265	480	678



## Dimensions

Model	A (mm)	Width (mm)	C (mm)	D (mm)	E (mm)	F (mm)	G Thread	H Thread	Weight Kg
JM8	50	20	86	68	12	7	40	G1/4"	0.135
JM10									0.135
JM13	65	29	113	90	16	9	50	G1/4"	0.265
JM16									0.305
JM20	80	39	128	104	16	9	60	G1/4"	0.540
JM25									0.640
JM30	100	50	160	130	20	11	80	G1/4"	1.140
JM36									1.350

# ACCESSORIES TURBINE VIBRATORS 'JMT' SERIES



## General Information

- 1 Minimum operating pressure 2 bar (30psi).
- 2 Max working pressure 6 bar (90psi).
  - Warning - exceeding the maximum working pressure of 6 bar, will result in faults or destruction of the vibrator.
- 3 Noise level from 75 – 95 dBA.
  - It is imperative that the silencer is cleaned on a regular basis as a back pressure may be created within the internal working of the vibrator and cause malfunction.
- 4 Medium – Compressed Air & Nitrogen.
- 5 Ambient temperature shall not exceed 120°C (250°F).

## Installation

- 1 Mounting must always be conducted on a solid, clean and even surface. If mounting surface has any welding joints they must be of adequate strength.
  - Make sure that the air pressure is turned off before installing and before any maintenance of the vibrator.
  - The air should be clean & filtered, the use of a lubricant is not necessary as the unit is a sealed unit which has been lubricated for life. The use of a lubricant will not harm the unit but it is suggested that only ISO VG 15 lubricant is used or any other suitable oil with a viscosity of 15 cST/40°C.
- 2 The Vibrators are suitable for indoor and outdoor applications.
  - When fitting in an outside environment please ensure that the exhaust ports are ported / piped in a downward position to avoid any water ingress.
- 3 Always ensure that there is a silencer fitted to the exhaust port.
  - Check exhaust ports and silencers regularly to avoid any dirt blocking the exhaust ports, if this is not carried out regularly this will lead to failure of the product.
  - It is advisable to use a thread lock (LOCTITE 270) when fixing any fittings or mounting screws to the vibrator, and the use of anti vibration nuts & washers.
  - Allen screws must be used when mounting the vibrator, the use of slotted screws must be avoided. The torque when tightening must not exceed the following values.
  - The vibrators must be ported correctly by using the arrow as a guide, the inlet port is the smaller hole marked with the arrow.

Ref Numbers	Thread	Tightening Torque	
		Min.	Max.
JMT8 & JMT10	M6	6 Nm	10 Nm
JMT13, JMT16, JMT20 & JMT25	M8	15 Nm	21 Nm
JMT30 & JMT36	M10	30 Nm	42 Nm

## Safety

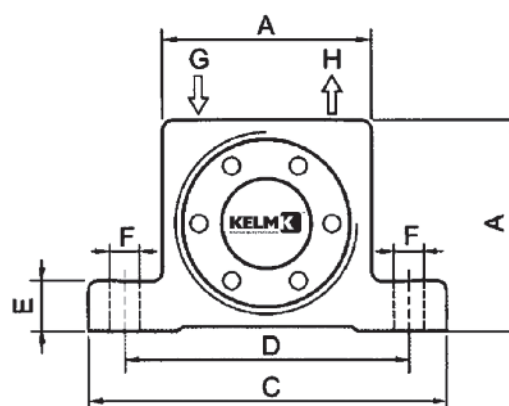
- Regularly check on all fixings and connections to ensure that they have not worked loose.
- Always wear ear protection when in the vicinity of the working vibrators.
- Always fit a silencer to the exhaust port.

# ACCESSORIES TURBINE VIBRATORS 'JMT' SERIES



## Performance Data

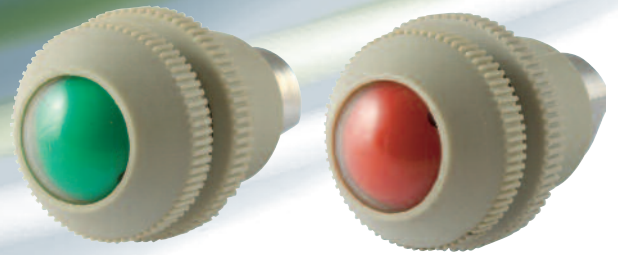
Model	Frequency V.P.M.			Centrifugal Force Measured			Air Consumption/Minute		
	0.2Mpa	0.4Mpa	0.6Mpa	0.2Mpa	0.4Mpa	0.6Mpa	0.2Mpa	0.4Mpa	0.6Mpa
				N	N	N	Ltr.	Ltr.	Ltr.
JMT8	35850	43000	45900	980	2100	2950	48	75	152
JMT10	26950	34800	37600	850	1400	2450			
JMT13	25950	30050	39800	1450	2450	3700	125	210	280
JMT16	16950	21800	24100	1250	2100	3150			
JMT20	16950	19800	23100	2180	4050	5500	188	315	465
JMT25	11980	15600	17100	2150	3550	5600			
JMT30	12990	14040	16100	3400	5450	7550	335	520	755
JMT36	7990	10100	13000	3300	5380	7180			



## Dimensions

Model	A (mm)	Width (mm)	C (mm)	D (mm)	E (mm)	F (mm)	G Thread	H Thread	Weight Kg
JMT8	50	34	86	68	12	7	G1/8"	G1/8"	0.256
JMT10									0.265
JMT13	65	42	113	90	16	9	G1/4"	G1/4"	0.582
JMT16									0.615
JMT20	80	56	128	104	16	9	G1/4"	G1/4"	1.121
JMT25									1.205
JMT30	100	72	160	130	20	11	G3/8"	G3/8"	2.320
JMT36									2.540

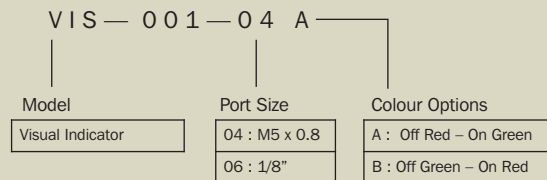
# ACCESSORIES VISUAL INDICATOR



## Specification

<b>Model</b>	<b>VIS-001-04</b>	<b>VIS-001-06</b>
<b>Fluid</b>	Air	
<b>Port</b>	M5 x 0.8	1/8"
<b>Operating Pressure</b>	<b>Full actuation</b>	0.05-0.7MPa (7-100psi)
	<b>Full de-actuation</b>	0-0.015MPa (0-2psi)
<b>Temperature</b>	0 to + 60°C	
<b>Mounting</b>	Panel	

## Ordering Code



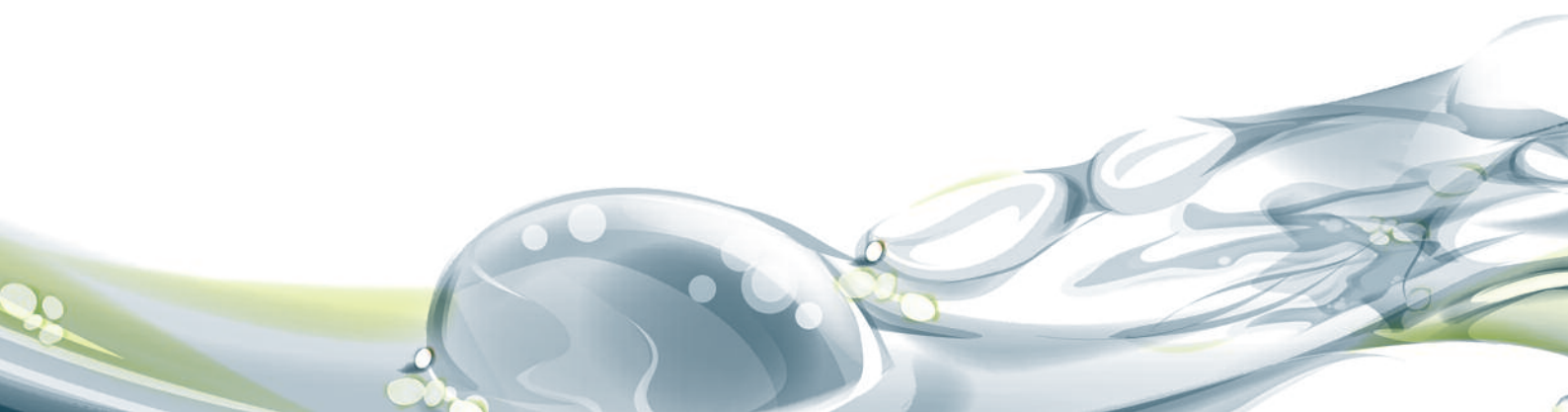
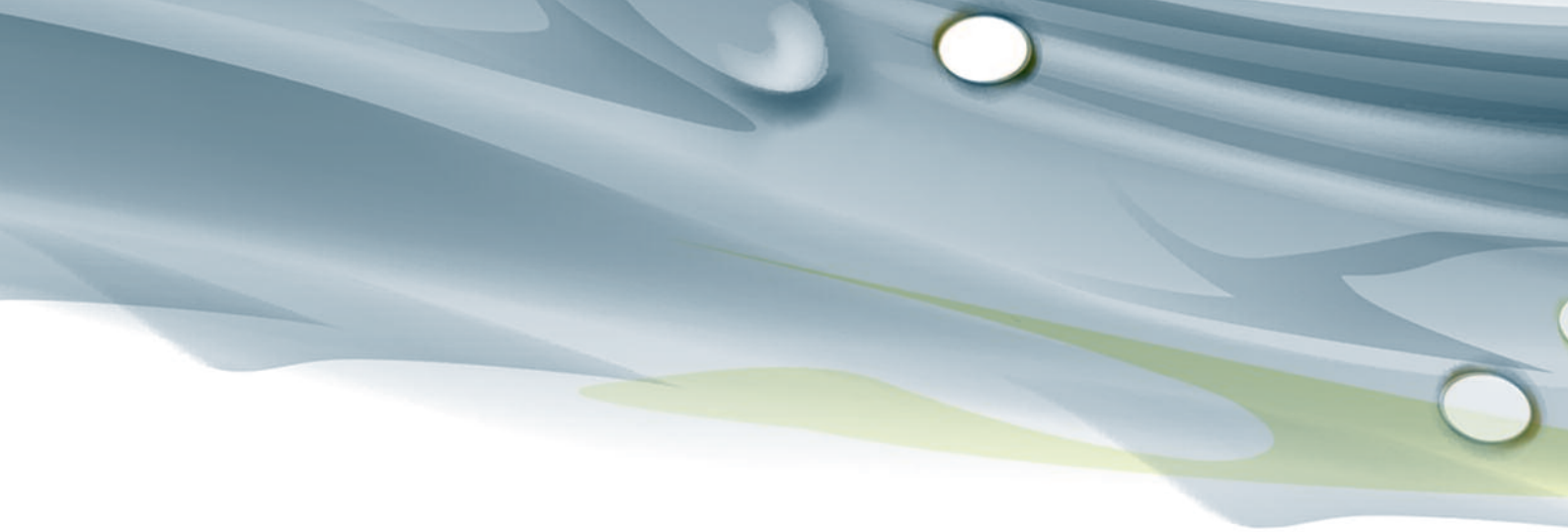
## Product Features

- 1 Supplied with Panel Mounting Nut.
- 2 Good visibility.
- 3 Aids with diagnostic problems by changing colour when the system is pressurised or not.
- 4 Fast response.

## Panel Mount Dimensions

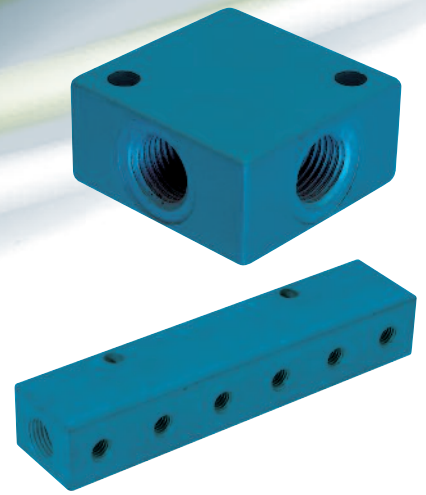
Hole Dimension : 31mØ

Panel Thickness : Less than 9mm





# ACCESSORIES DISTRIBUTION MANIFOLDS



## Specification

### 4 Way Female Equal Cross

Model	KMDS-1/8	KMDS-1/4	KMDS-3/8	KMDS-1/2
Fluid	Air			
Port	1/8"	1/4"	3/8"	1/2"

## Ordering Code

K M D S	—	1 / 8
Model		Port Size
4 Way Equal Female Cross		1/8 : 1/8"
		1/4 : 1/4"
		3/8 : 3/8"
		1/2 : 1/2"

## Product Features

- 1 Blue anodised aluminium manifolds.
- 2 BSPP ported.
- 3 Available in a 4 way 'Cross' or as single-sided manifolds.

## Specification

### Single Sided Manifolds

Model	KMDL-1/4-1/8	KMDL-3/8-1/4
Fluid	Air	
Inlet x 2	1/4"	3/8"
Outlets x 6	1/8"	1/4"

## Ordering Code

K M D L	—	1 / 4	—	1 / 8
Model		Inlet Port Size		Outlet Port Size
Single Sided Manifolds		1/4 : 1/4"		1/8 : 1/8"
		3/8 : 3/8"		1/4 : 1/4"

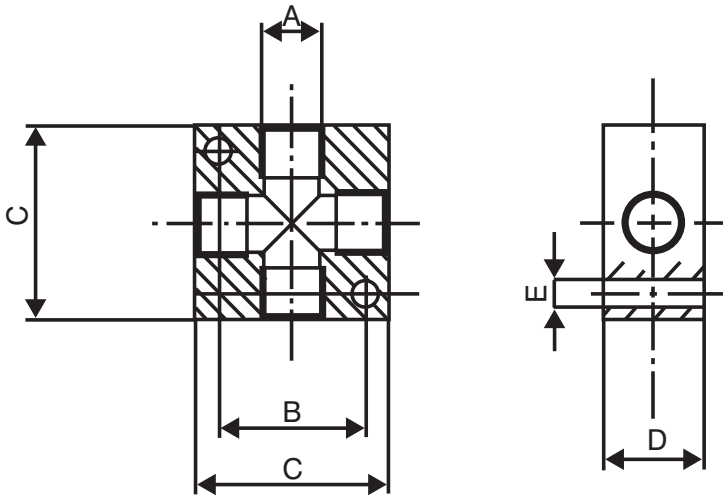
# ACCESSORIES

## DISTRIBUTION MANIFOLDS

### Dimensions

#### 4 Way Female Equal Cross

Model	A	B	C	D	E
KMDS-1/8	1/8"	23	30	16	4.25
KMDS-1/4	1/4"	30	40	20	5.25
KMDS-3/8	3/8"	39	50	25	6.25
KMDS-1/2	1/2"	39	50	25	6.25



### Dimensions

#### Single Sided Manifolds, BSPP

Model	A	B	D	E	F	G	H	L	M	P
KMDL-1/4-1/8	1/4"	1/8"	15	30	180	30	4.5	30	20	15
KMDL-3/8-1/4	3/8"	1/4"	18	36	216	36	6	30	20	19

